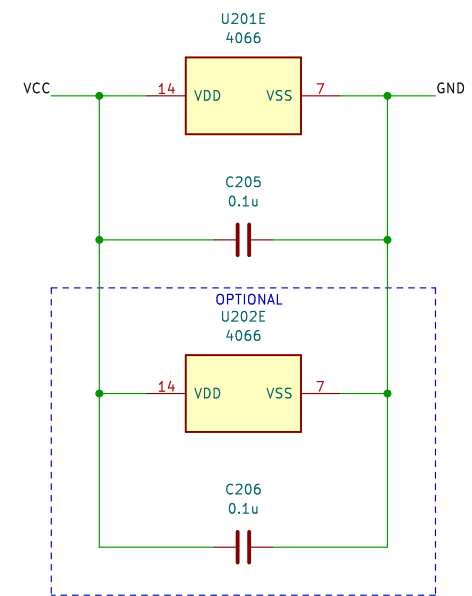
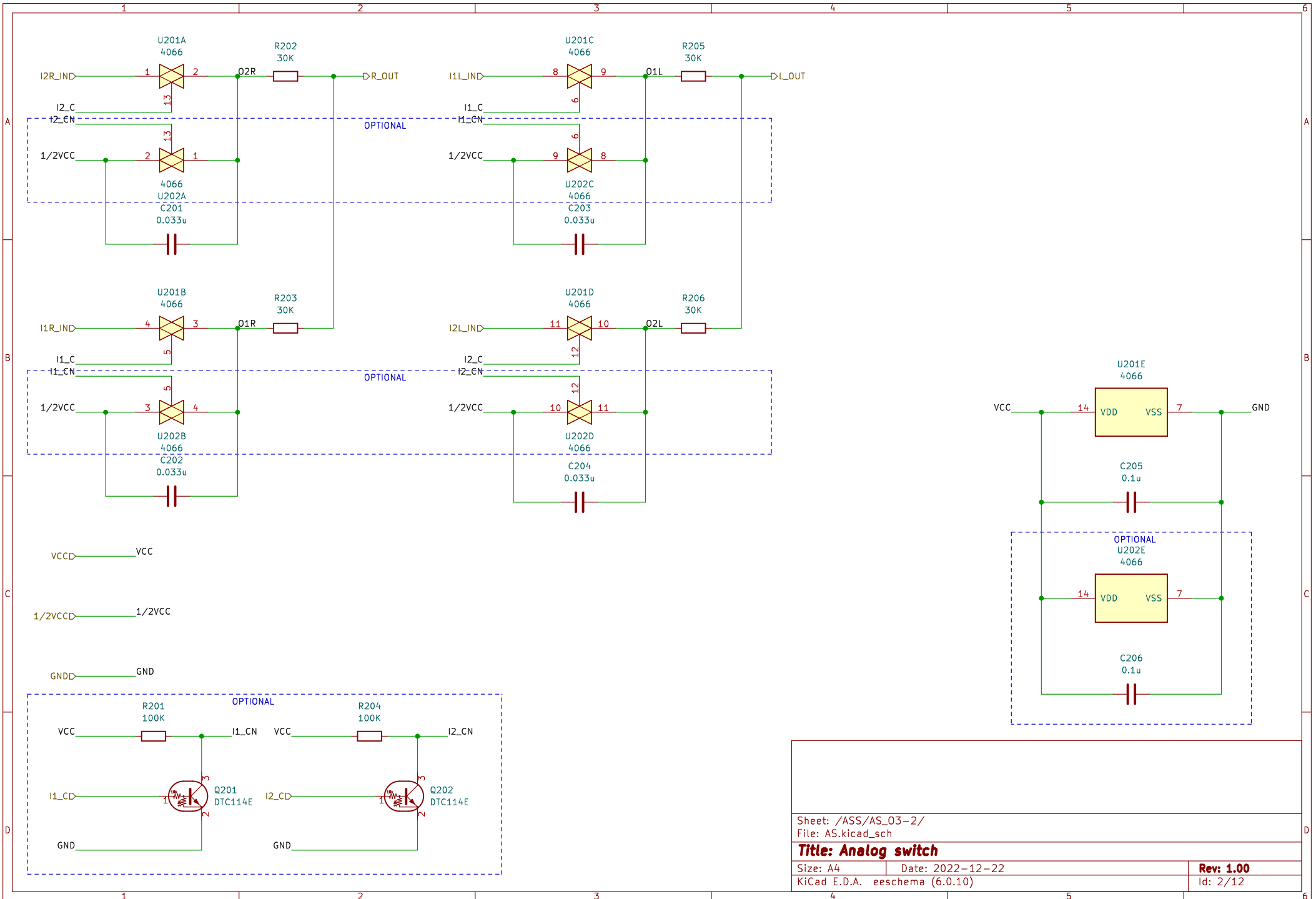
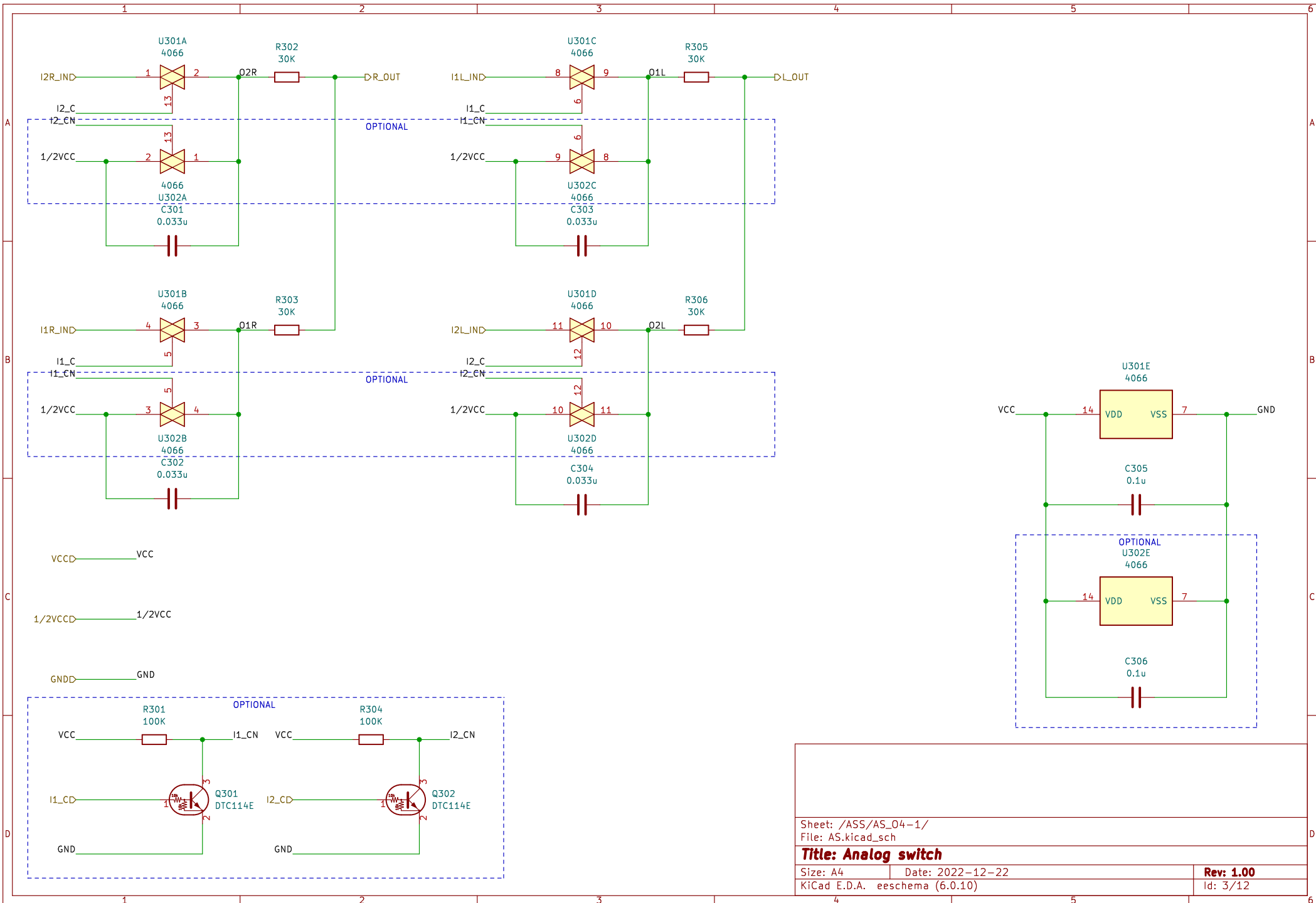


Sheet: /	
File: AudioLineManager-BASE.kicad_sch	
Title: AudioLineManager-BASE	
Size: A4	Date: 2022-12-22
KiCad E.D.A. eeschema (6.0.10)	Rev: 4.02
	Id: 1/12



Sheet: /ASS/AS_03-2/	
File: AS.kicad_sch	
Title: Analog switch	
Size: A4	Date: 2022-12-22
KiCad E.D.A. eeschema (6.0.10)	Rev: 1.00 Id: 2/12

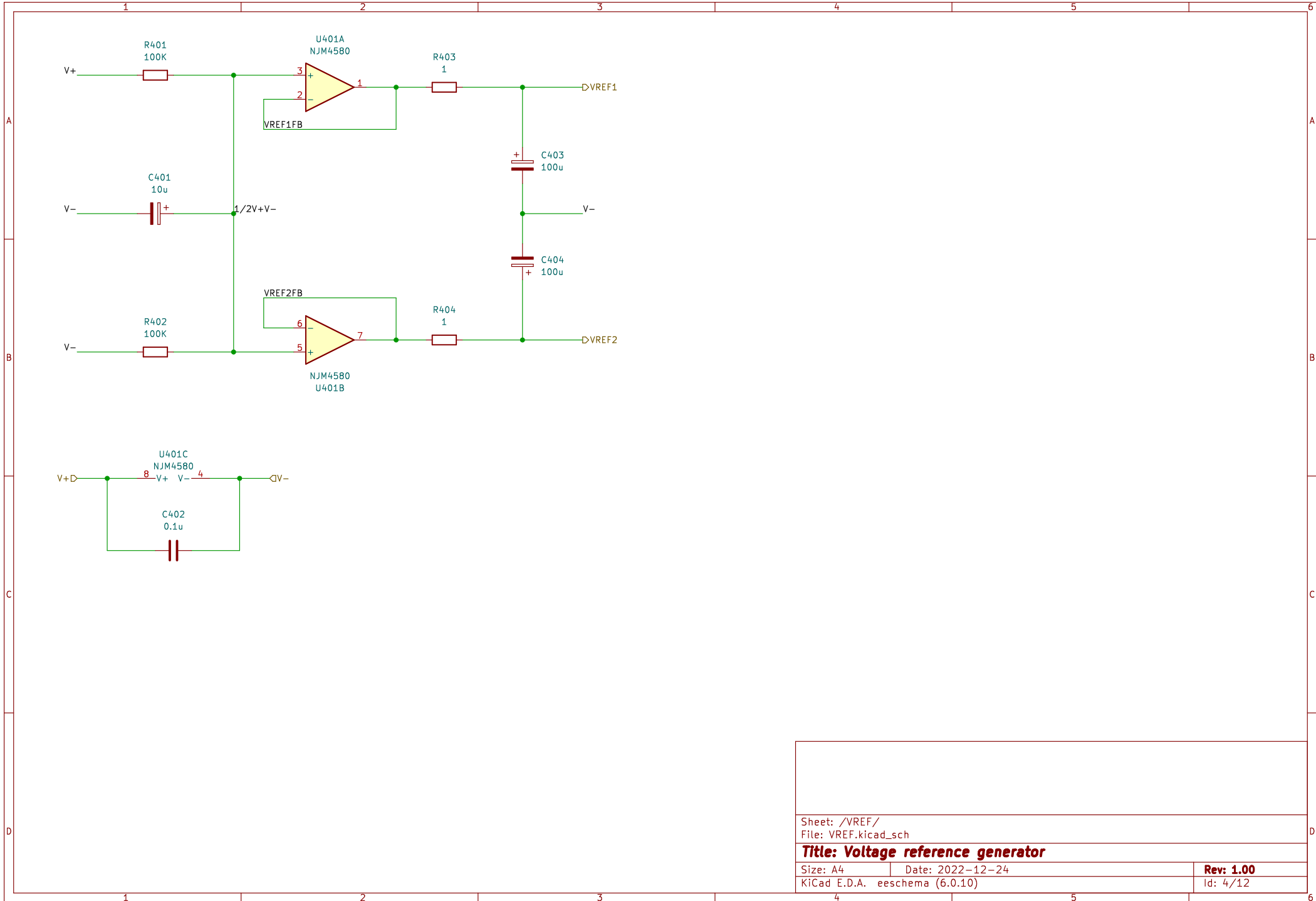


Sheet: /ASS/AS_04-1/
 File: AS.kicad_sch

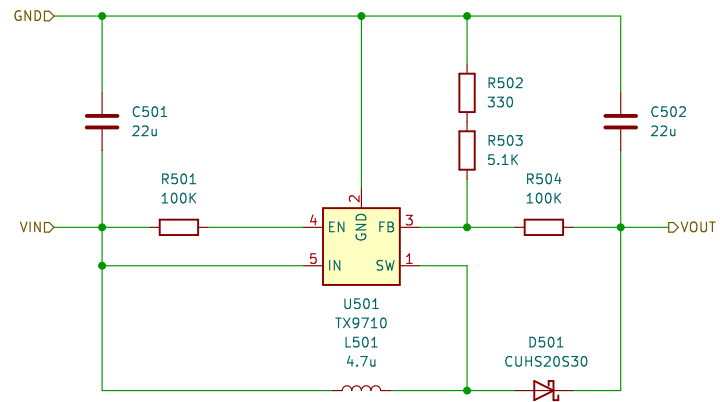
Title: Analog switch

Size: A4 Date: 2022-12-22
 KiCad E.D.A. eeschema (6.0.10)

Rev: 1.00
 Id: 3/12



Sheet: /VREF/	
File: VREF.kicad_sch	
Title: Voltage reference generator	
Size: A4	Date: 2022-12-24
KiCad E.D.A. eeschema (6.0.10)	Rev: 1.00
	Id: 4/12



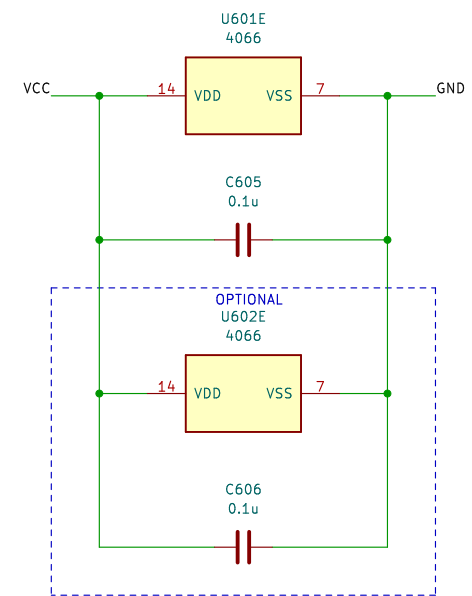
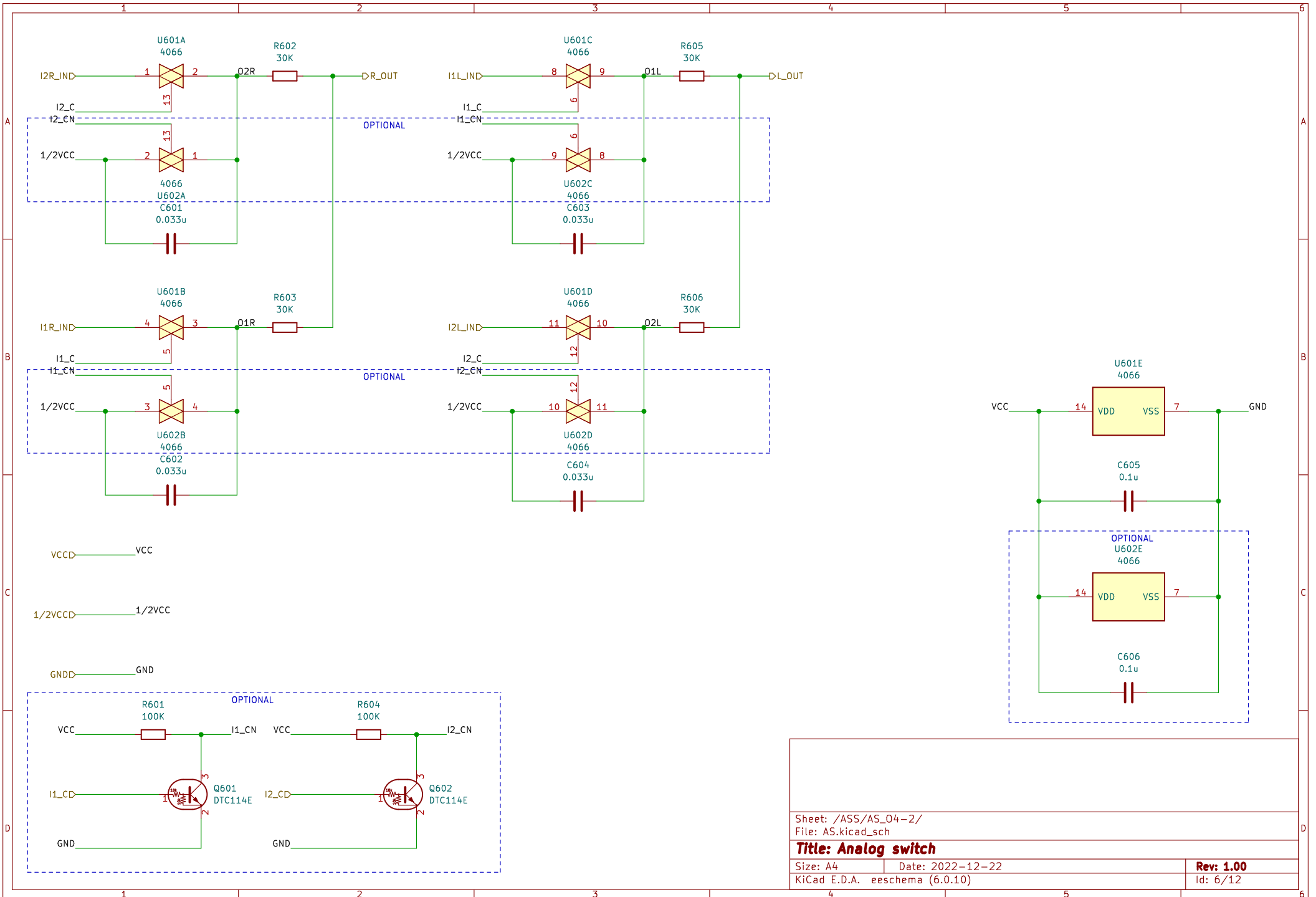
抵抗値が高すぎて不安定になため、100K→50K(100Kp2)、5K1→2K55(5K1p2)、330→165(330p2)で実装
 実測12V以上になるため、330Ω→750Ωで実装
 $0.6 \times ((100K + (5K1 + 330)) / (5K1 + 330)) = 11.64972376V$

Sheet: /SUC/
 File: SUC.kicad_sch

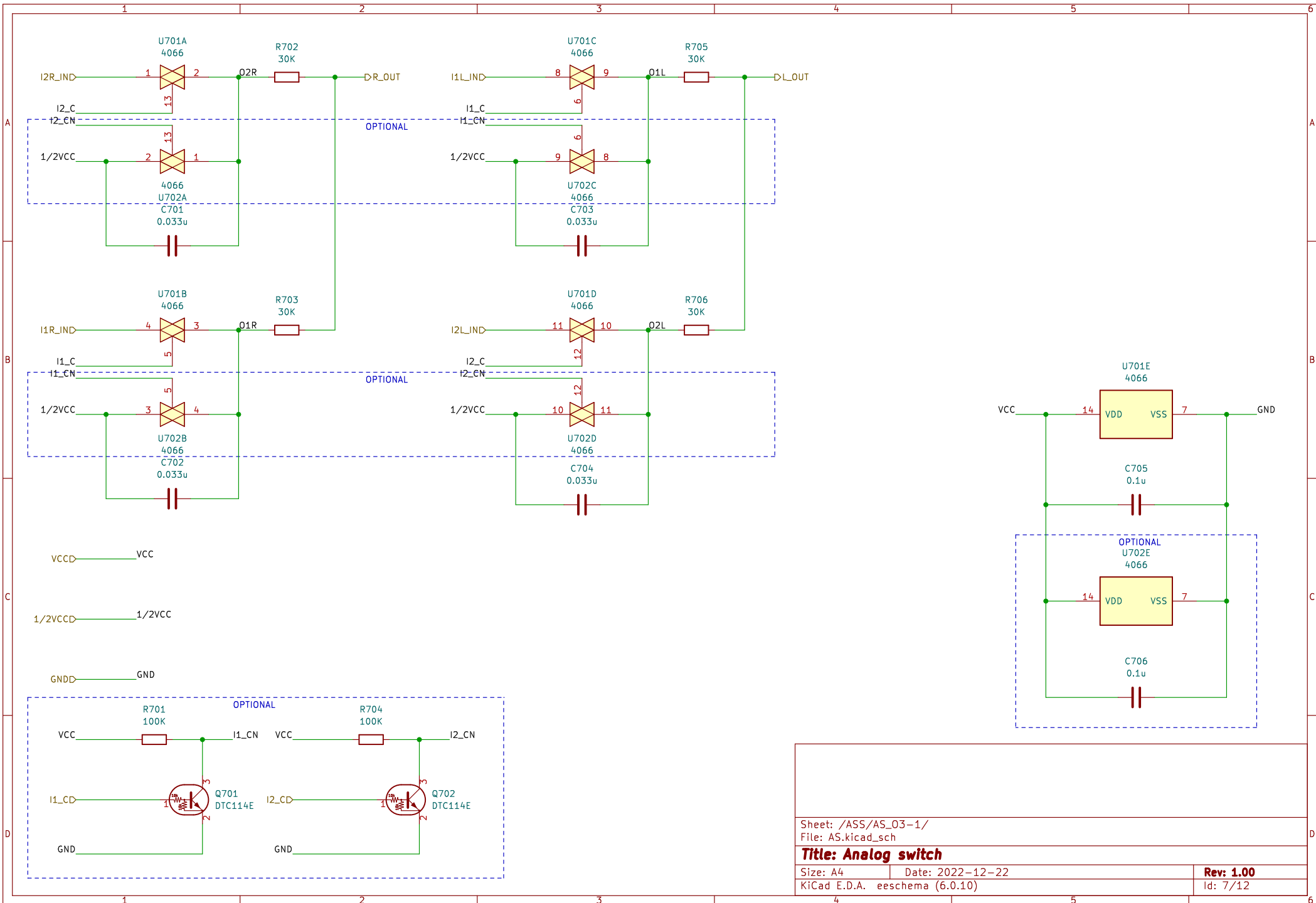
Title: Step-up chopper

Size: A4 Date: 2022-12-24
 KiCad E.D.A. eeschema (6.0.10)

Rev: 1.00
 Id: 5/12



Sheet: /ASS/AS_04-2/	
File: AS.kicad_sch	
Title: Analog switch	
Size: A4	Date: 2022-12-22
KiCad E.D.A. eeschema (6.0.10)	Rev: 1.00
	Id: 6/12

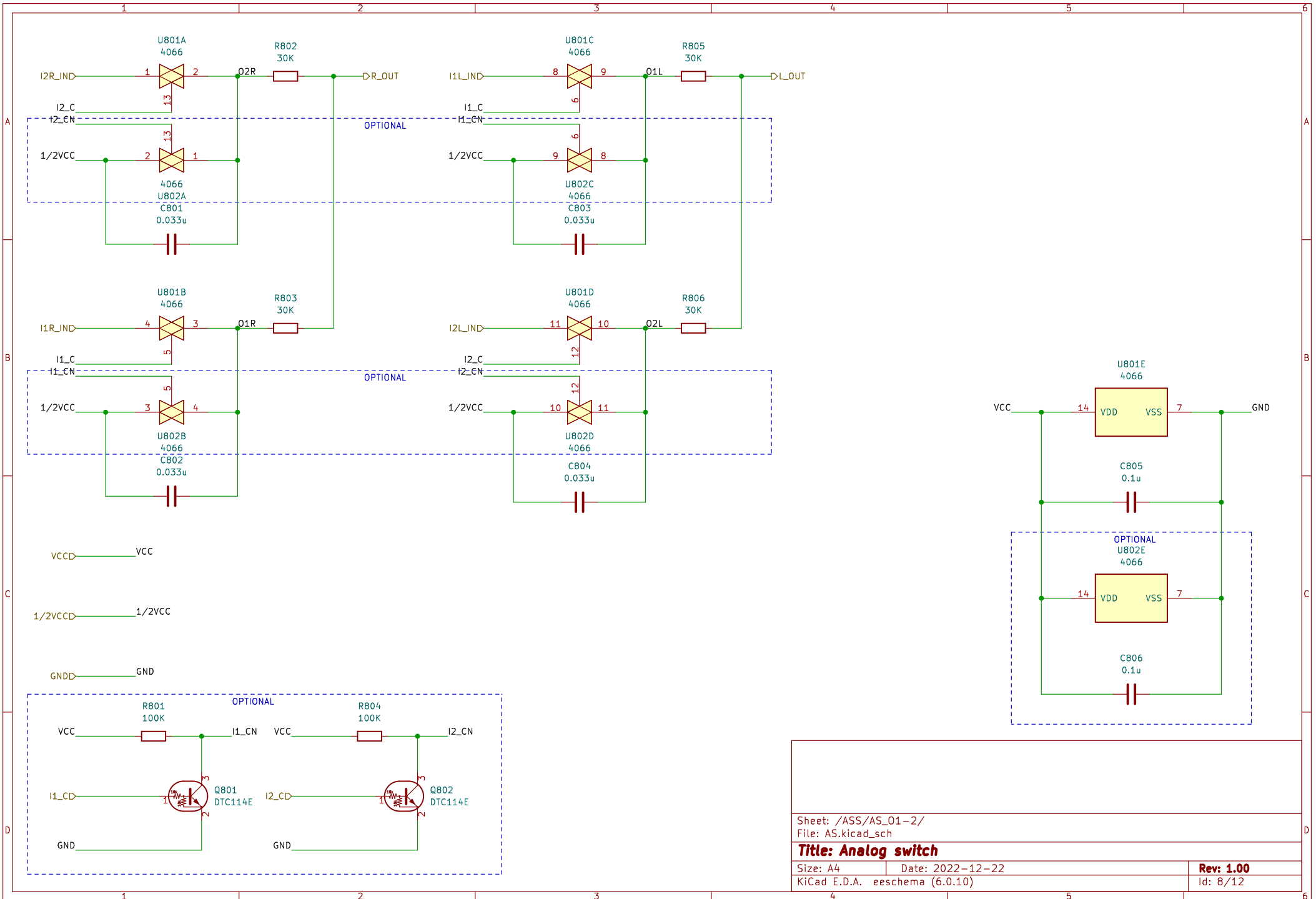


Sheet: /ASS/AS_03-1/
 File: AS.kicad_sch

Title: Analog switch

Size: A4 Date: 2022-12-22
 KiCad E.D.A. eeschema (6.0.10)

Rev: 1.00
 Id: 7/12

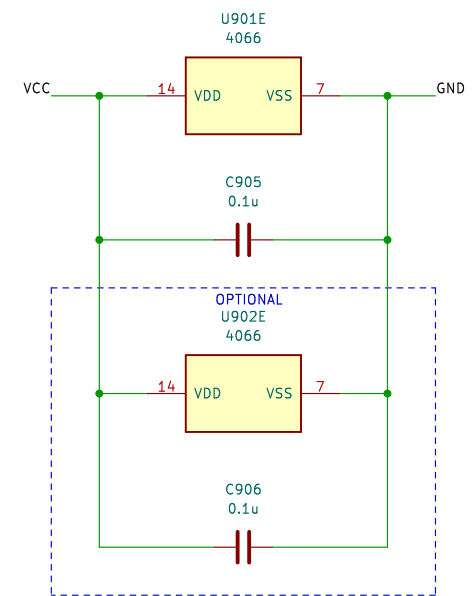
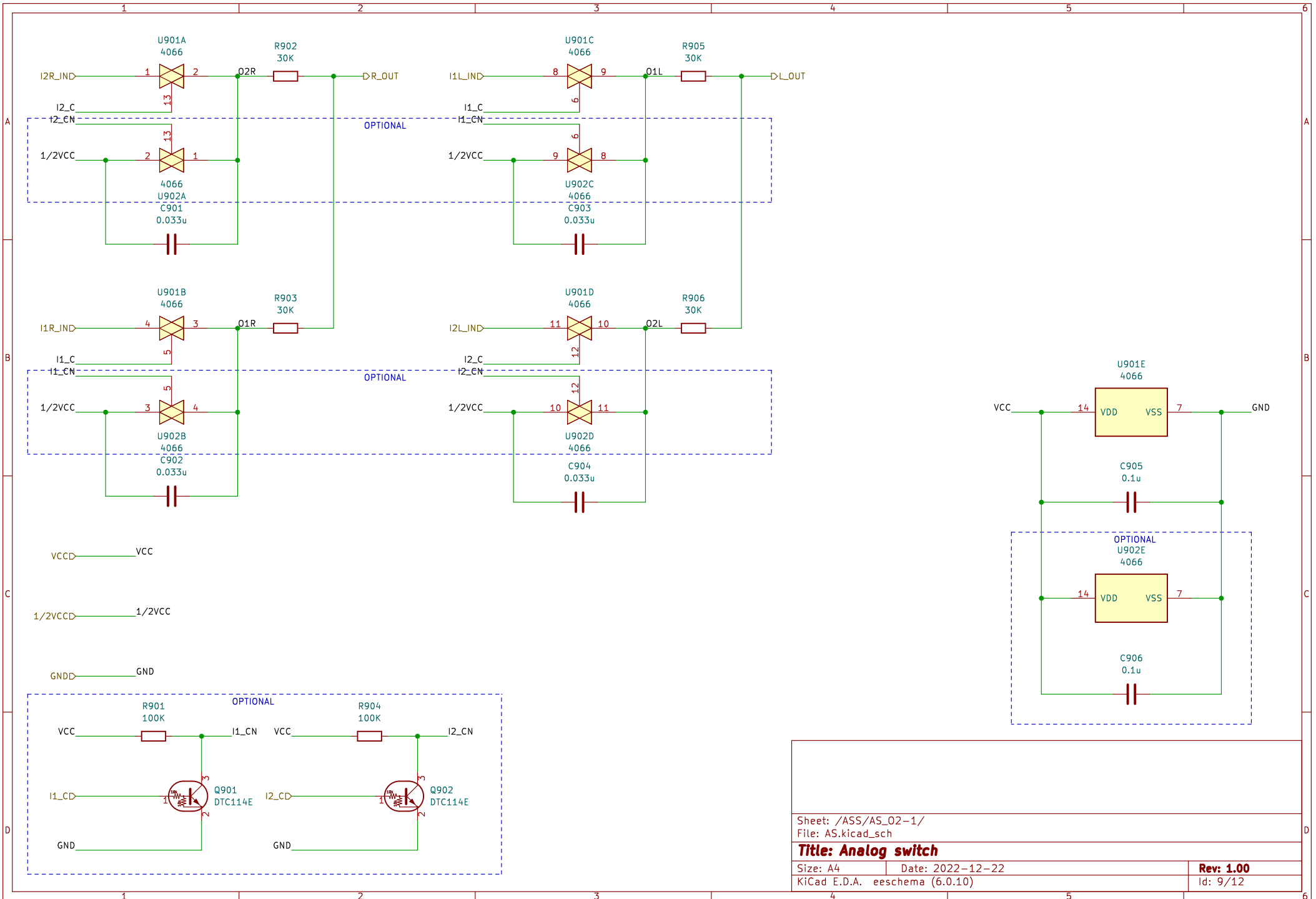


Sheet: /ASS/AS_01-2/
 File: AS.kicad_sch

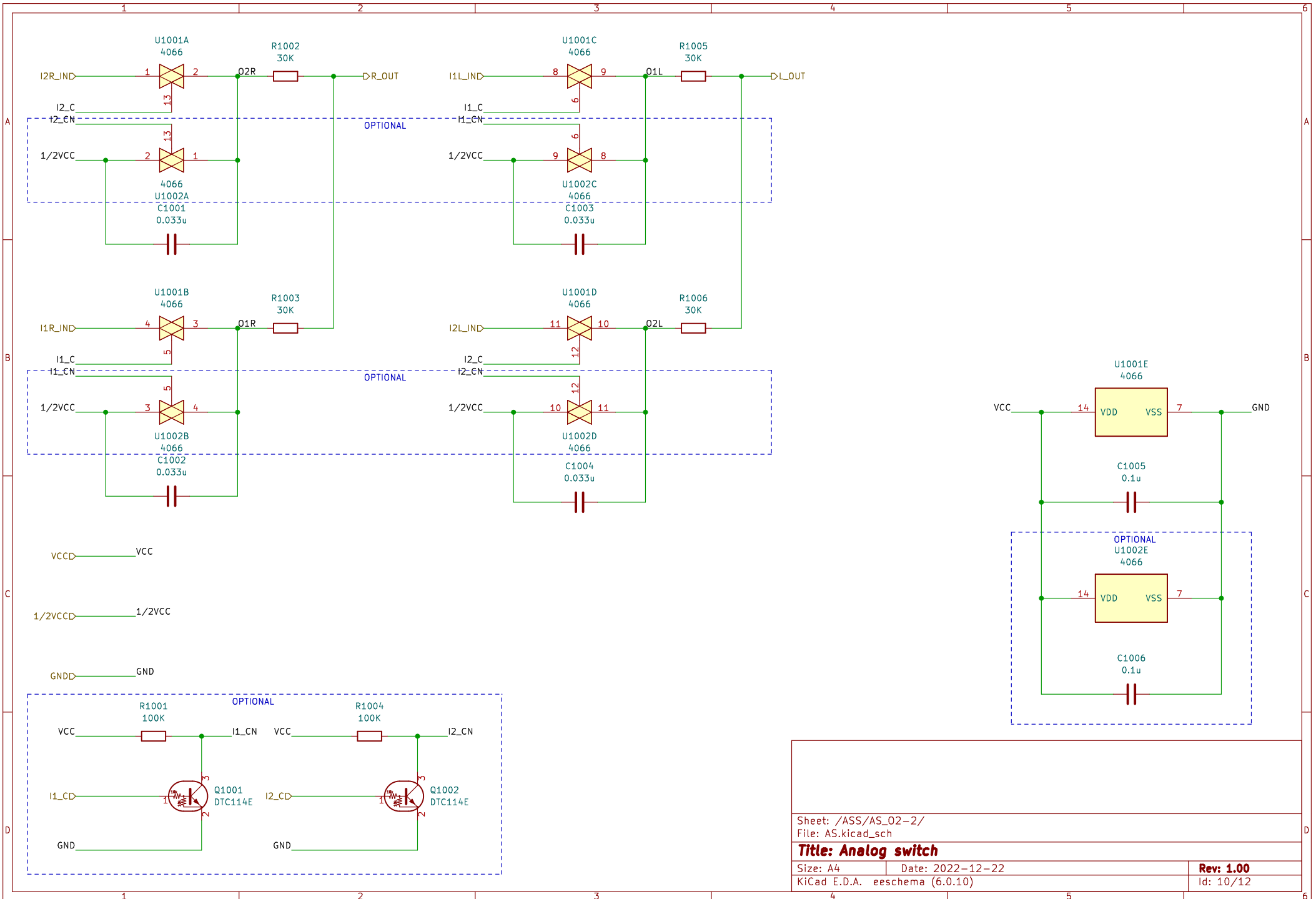
Title: Analog switch

Size: A4 Date: 2022-12-22
 KiCad E.D.A. eeschema (6.0.10)

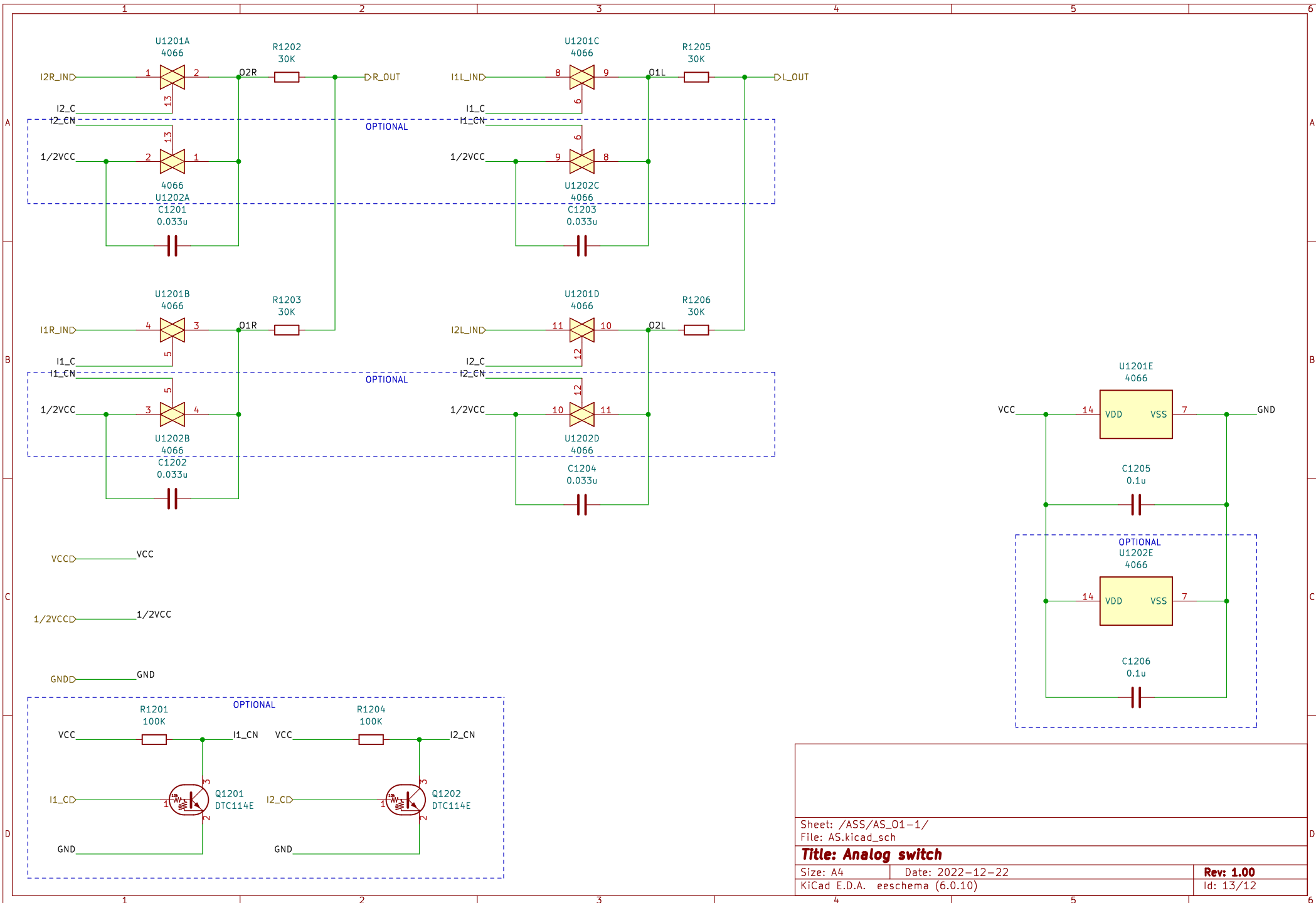
Rev: 1.00
 Id: 8/12



Sheet: /ASS/AS_02-1/	
File: AS.kicad_sch	
Title: Analog switch	
Size: A4	Date: 2022-12-22
KiCad E.D.A. eeschema (6.0.10)	Rev: 1.00
	Id: 9/12



Sheet: /ASS/AS_02-2/	
File: AS.kicad_sch	
Title: Analog switch	
Size: A4	Date: 2022-12-22
KiCad E.D.A. eeschema (6.0.10)	Rev: 1.00 Id: 10/12



Sheet: /ASS/AS_01-1/
File: AS.kicad_sch

Title: Analog switch

Size: A4 Date: 2022-12-22
KiCad E.D.A. eeschema (6.0.10)

Rev: 1.00
Id: 13/12