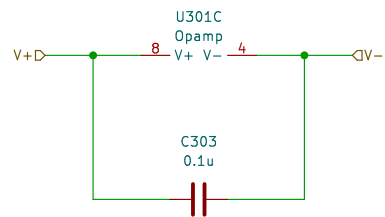
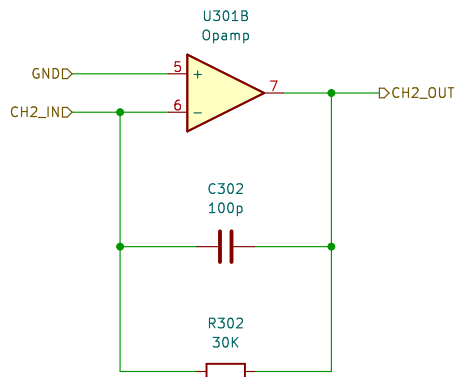
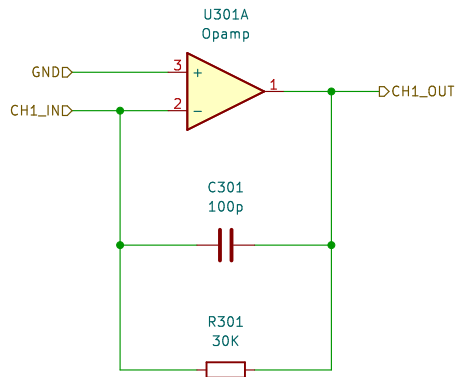


Sheet: /VCA_I(80H)/
File: VCA.kicad_sch

Title: VCA

Size: A4 | Date: 2022-08-16
KiCad E.D.A. eeschema (6.0.10)

Rev: 1.00
Id: 2/11

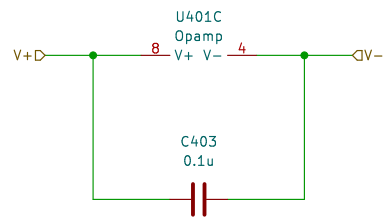
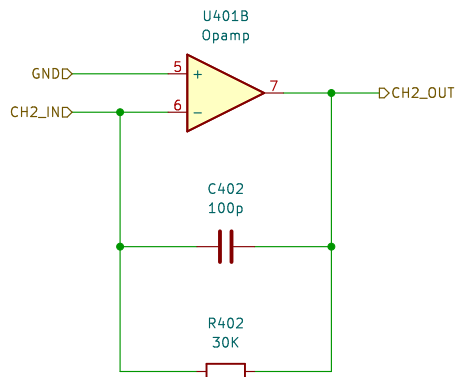
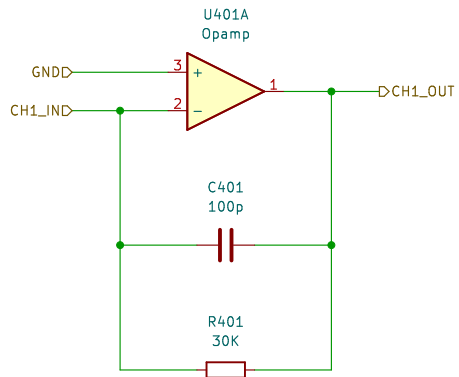


Sheet: /AMP_I1/
 File: AMP.kicad_sch

Title: AMP

Size: A4 Date: 2022-08-14
 KiCad E.D.A. eeschema (6.0.10)

Rev: 1.00
 Id: 3/11

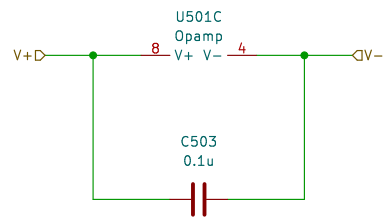
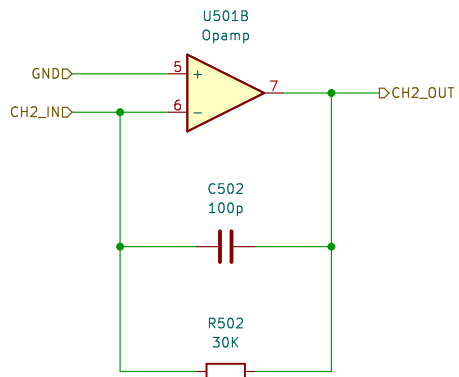
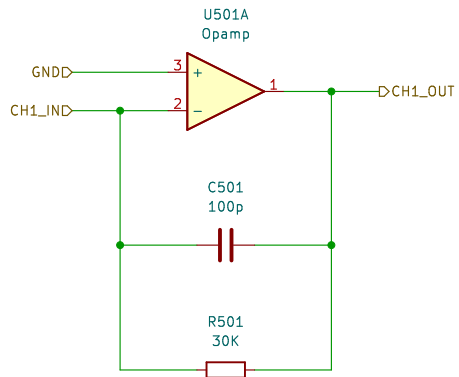


Sheet: /AMP_I3/
File: AMP.kicad_sch

Title: AMP

Size: A4 | Date: 2022-08-14
KiCad E.D.A. eeschema (6.0.10)

Rev: 1.00
Id: 4/11

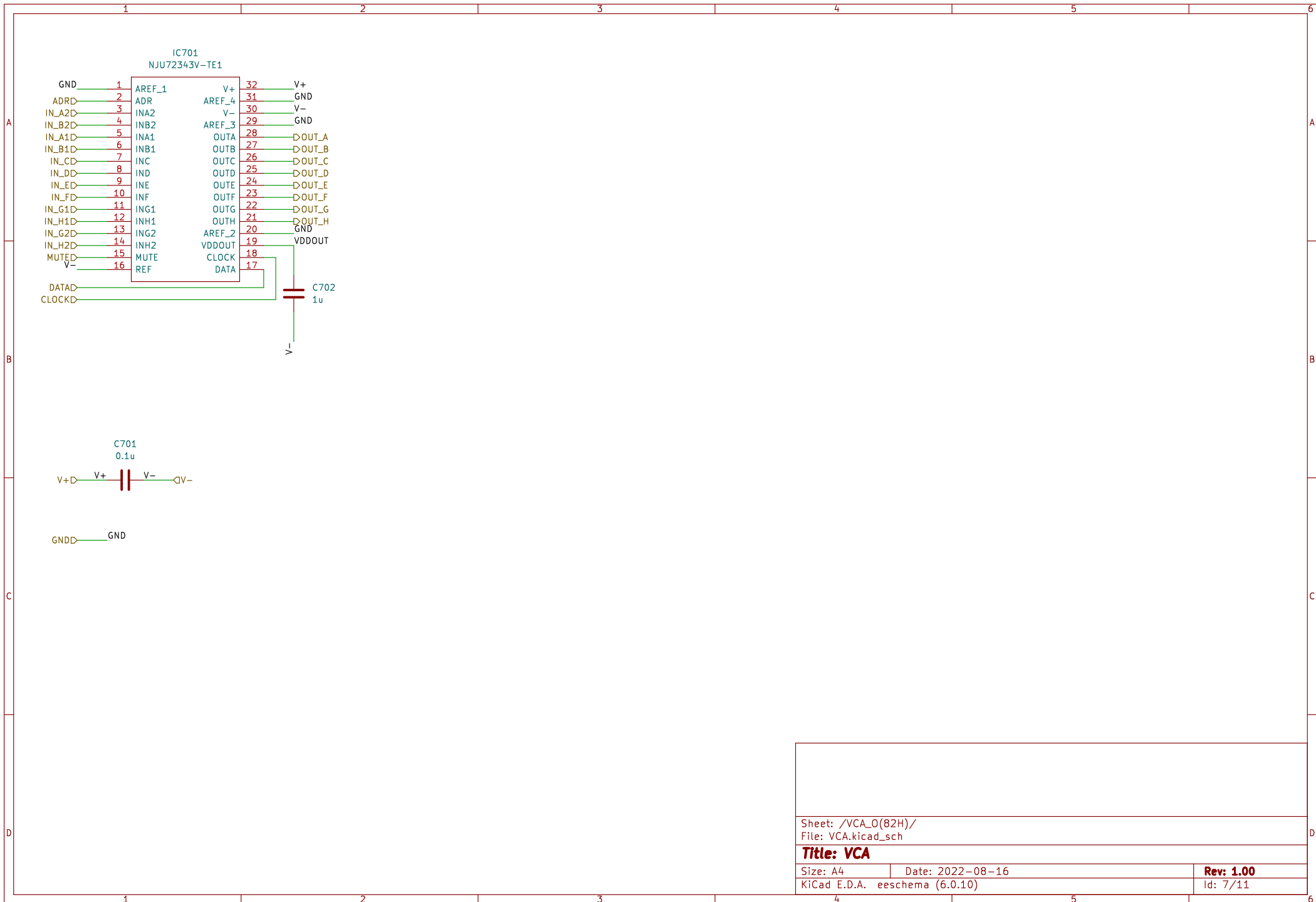


Sheet: /AMP_I4/
File: AMP.kicad_sch

Title: AMP

Size: A4 | Date: 2022-08-14
KiCad E.D.A. eeschema (6.0.10)

Rev: 1.00
Id: 5/11

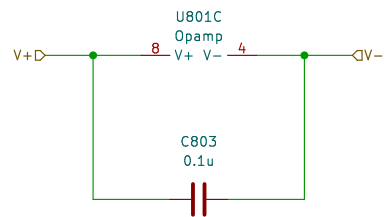
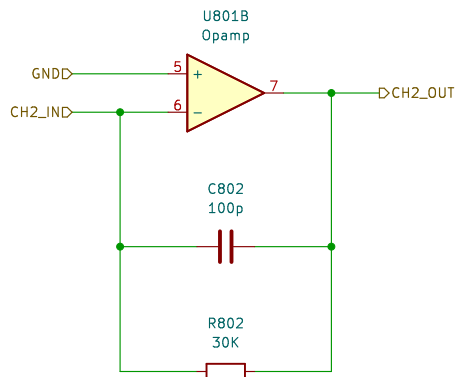
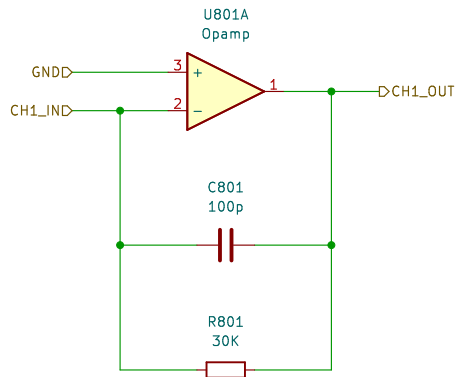


Sheet: /VCA_0(82H)/
File: VCA.kicad_sch

Title: VCA

Size: A4 Date: 2022-08-16
KiCad E.D.A. eeschema (6.0.10)

Rev: 1.00
Id: 7/11

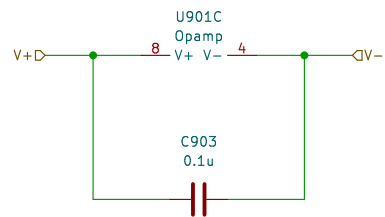
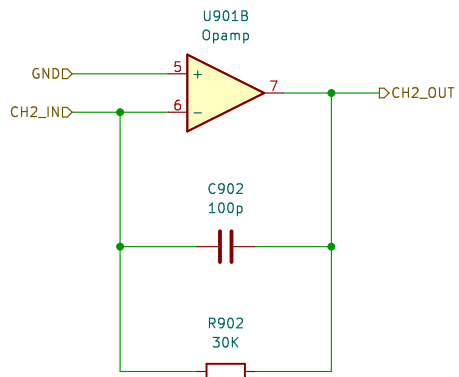
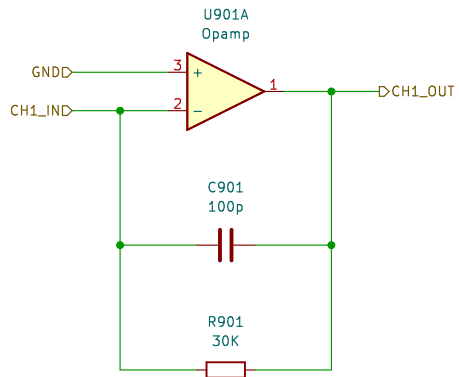


Sheet: /AMP_01/
File: AMP.kicad_sch

Title: AMP

Size: A4 Date: 2022-08-14
KiCad E.D.A. eeschema (6.0.10)

Rev: 1.00
Id: 8/11

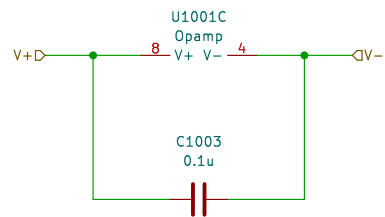
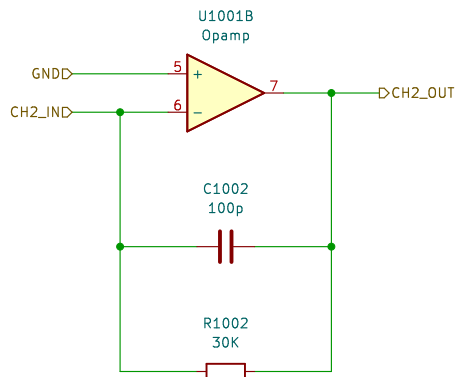
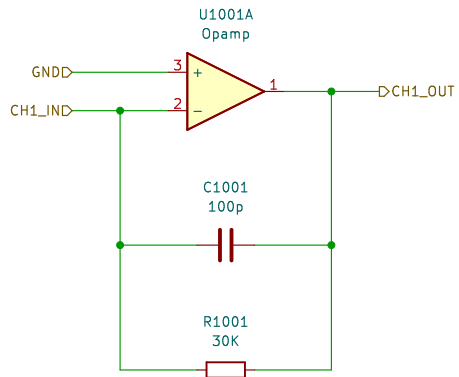


Sheet: /AMP_02/
 File: AMP.kicad_sch

Title: AMP

Size: A4 | Date: 2022-08-14
 KiCad E.D.A. eeschema (6.0.10)

Rev: 1.00
 Id: 9/11

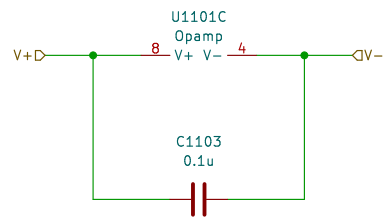
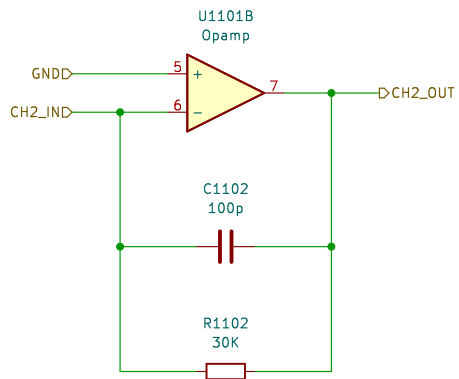
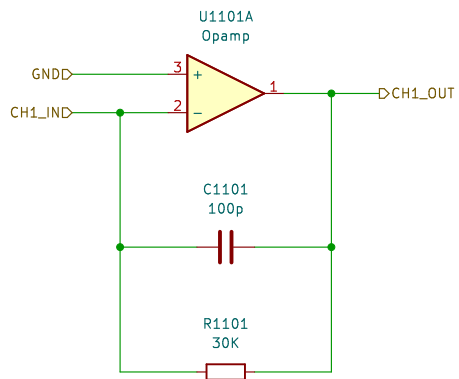


Sheet: /AMP_03/
File: AMP.kicad_sch

Title: AMP

Size: A4 Date: 2022-08-14
KiCad E.D.A. eeschema (6.0.10)

Rev: 1.00
Id: 10/11

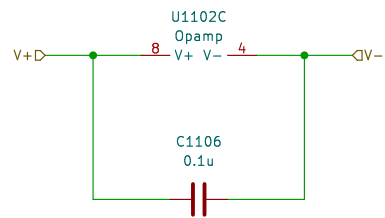
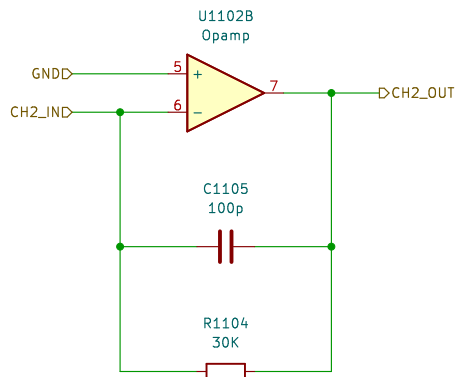
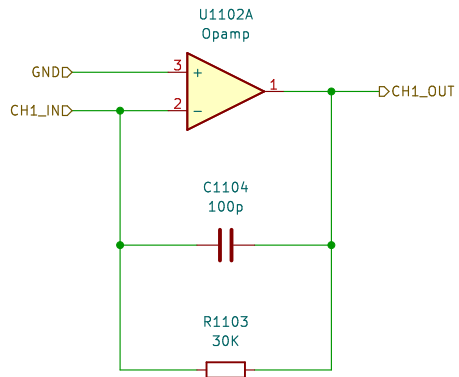


Sheet: /AMP_04/
File: AMP.kicad_sch

Title: AMP

Size: A4 | Date: 2022-08-14
KiCad E.D.A. eeschema (6.0.10)

Rev: 1.00
Id: 11/11



Sheet: /AMP_I2/
File: AMP.kicad_sch

Title: AMP

Size: A4 Date: 2022-08-14
KiCad E.D.A. eeschema (6.0.10)

Rev: 1.00
Id: 12/11